

CLARKE

WATERFALL SKIRTED

Acrylic Tubs



L" x W" x H" *

(drain is not included)

Construction:

Clarke baths are constructed of the highest grade cast acrylic with fiberglass reinforced backing. Each tub features a pre-leveled base with supporting high density polyfoam blocks. The plumbing system on Clarke Hydrotherapy and Total Massage baths utilizes a smooth flex pvc & clamp system that limits water entrapment in the lines.

Every unit is performance tested with water prior to leaving the factory

Certification:

Meets or exceeds the following specifications:

- IAPMO & ETL



Notes:

- This product comes complete with installation, operating care and maintenance instructions.
- Electrical specifications: 120V, 20 Amp , GFCI protected circuit for pump and/or blower Optional heater must be installed on its own dedicated 120V, 20 AMP, GFCI protected circuit .
- All dimensions and specifications are nominal and may vary +/- 1/4". Use actual products for accuracy in critical situations.
- All Clarke baths feature a 2-Year limited warranty

Base Model #: _____ WSK(R or L)

Features:

Basic (T):

- Constructed of high-gloss acrylic
- Available in White, Biscuit, Light Grey, Bone, or Black
- Textured slip resistant floor
- Pre leveled base
- Integral water barrier (on three sides for alcove installation)
- Integral Skirt

- Water capacity to overflow: *

Hydrotherapy(W):

- 7.5 Amp/1.4 HP pump/motor
- Air on/off switch
- Safety suction & Hidden air induction valves
- 7 fully adjustable hydro jets
- 1 massage lower lumbar jet
- Minimum operating water capacity: *

Air Massage(A):

- 1 HP blower with 200 W heating element
- Multi-Speed with 3 button control
- 20 min delay purge cycle
- Escutcheons at each air channel hole for added sanitation.

- Digital control panel featuring variable speed, wave action, digital temperature read out & single mood light

Factory Installed Options:

- Factory installed in-line bath heater (works with jets only)
- Satin nickel or polished chrome jet trim
- Chromatherapy soothing light package with 3 L.E.D. lights and control panel
- Mood light with single light and single on/off air switch

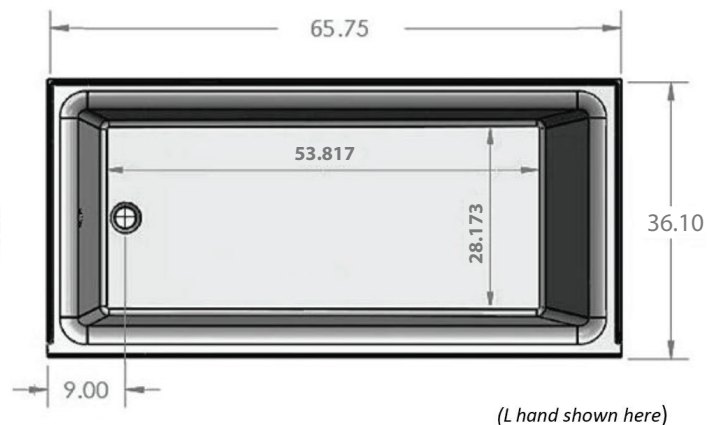
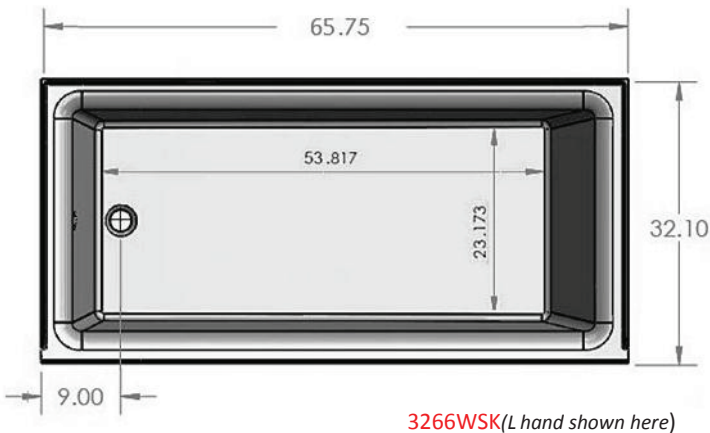
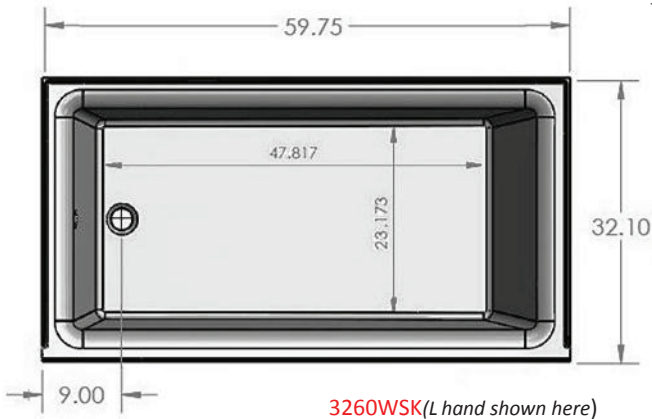
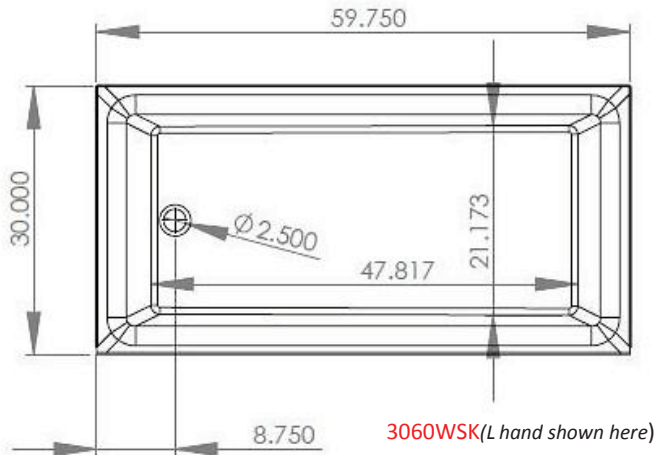
*see next page for specifications & base model numbers

CLARKE

WATERFALL SKIRTED

Specifications:

Base Models:



PRODUCT	LENGTH (L)	WIDTH (W)	HEIGHT (H)	OVERFLOW (O)	CAPACITY TO OVERFLOW
(Right or Left)	-	-	-	-	-
3060WSK	59 1/4"	30"	18 1/8"	16 1/2"	60
3260WSK	59 3/4"	32"	18"	14 1/2"	62
3266WSK	65 3/4"	32"	18"	14 1/2"	67
3666WSK	65 3/4"	36"	18"	14 1/2"	72
3660WSK	59 3/4"	36"	18"	14 1/2"	65

1" integral water barrier

