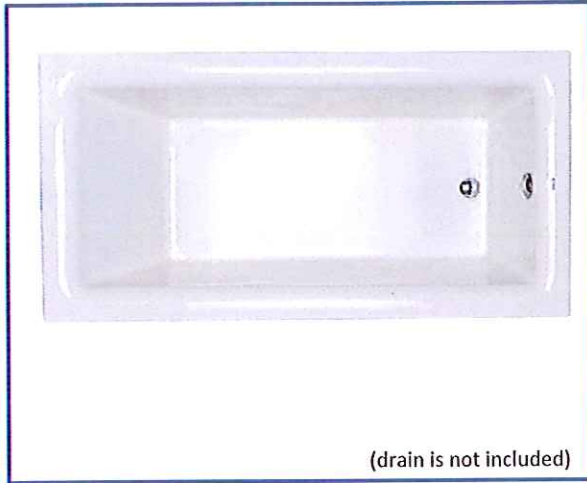


# CLARKE

## WATERFALL DROP-IN

### Acrylic Tubs



(drain is not included)

### Construction:

Clarke baths are constructed of the highest grade cast acrylic with fiberglass reinforced backing. Each tub features a pre-leveled base with supporting high density polyfoam blocks. The plumbing system on Clarke Hydrotherapy and YourSpa™ baths utilizes a smooth flex pvc & clamp system that limits water entrapment in the lines.

Every unit is performance tested with water prior to leaving the factory

### Certification:

Meets or exceeds the following specifications:

- IAPMO & ETL



### Notes:

- This product comes complete with installation, operating care and maintenance instructions.
- Electrical specifications: 120V, 20 Amp, GFCI protected circuit for pump and/or blower. Optional heater must be installed on its own dedicated 120V, 20 AMP, GFCI protected circuit.
- All dimensions and specifications are nominal and may vary +/- 1/8". Use actual products for accuracy in critical situations.
- All Clarke baths feature a 2-Year limited warranty

Base Model #: \_\_\_\_\_WF\*

### Features:

#### Basic (T):

- Available in White, Biscuit, Light Grey, Bone, or Black
- Textured slip resistant floor
- Pre leveled base
- Water capacity to overflow: \*

#### Hydrotherapy (W):

- 7.5 Amp/1.4 HP pump/motor with Air on/off switch
- Safety suction & Hidden air induction valves
- 7 fully adjustable hydro jets & 1 massage lower lumbar jet
- Minimum operating water capacity: \*

#### Air Massage (A):

- 1 HP blower with 200 W heating element
- Multi-Speed with 3 button control & 20 min delay purge cycle
- Escutcheons at each air channel hole for added sanitation.

#### YourSpa™ (WA):

- Hydrotherapy with 13Amp/2 HP pump
- 1 HP blower with 200 W heating element & purge cycle
- 11 fully adjustable funnel jets & 1 massage lower lumbar jet
- Factory installed in-line heater - standard
- 8 button digital control panel featuring variable speed, wave action, digital temperature read out & single mood light

#### Rejuvenation (RJ):

- 13 Amp low flow pump with electric on/off control
- Single suction & single jet port

#### Factory Installed Options:

- Factory installed in-line bath heater (works with jets only)
- Satin nickel or polished chrome jet trim
- Chromatherapy soothing light package with 3 L.E.D. lights and control panel
- Mood light with single light and single on/off air switch
- Ozonator
- Heating Pad with electric on/off control

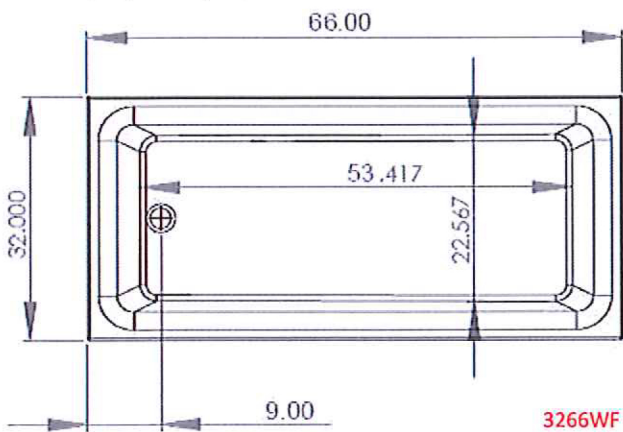
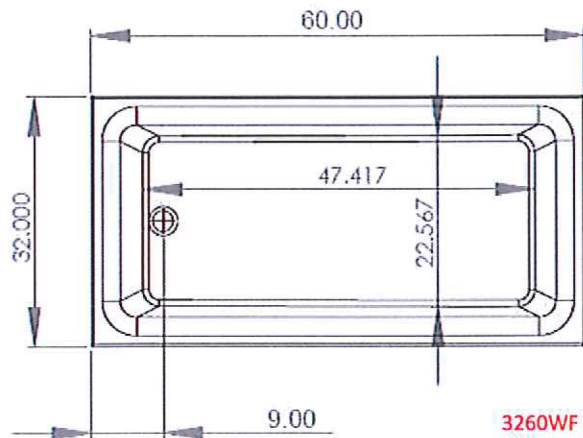
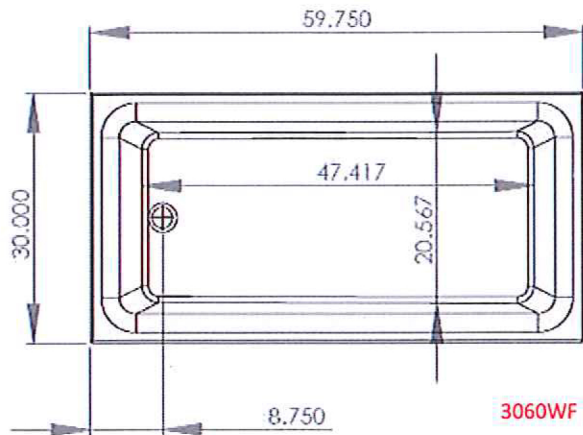
\*see next page for specifications & base model numbers

# CLARKE

## WATERFALL DROP-IN

### Specifications:

### Base Models:



PRODUCT	LENGTH (L)	WIDTH (W)	HEIGHT (H)	OVERFLOW (O)	CAPACITY TO OVERFLOW
3060WF	59 3/4"	30"	18 1/4"	14 3/4"	57
3260WF	60"	32"	21 1/4"	14 3/4"	60
3266WF	66"	32"	21 1/4"	14 3/4"	63

