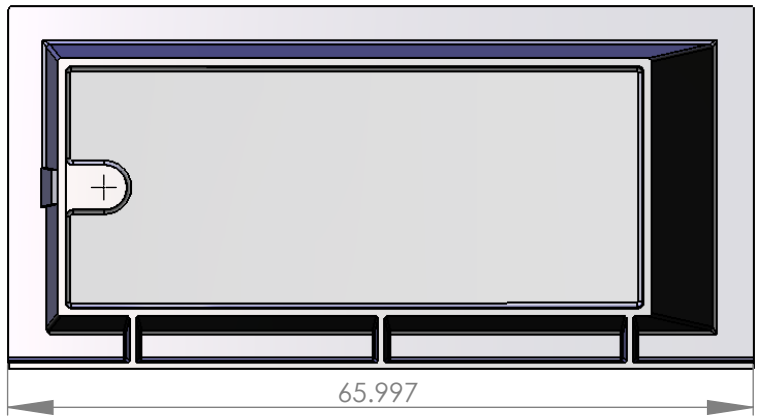
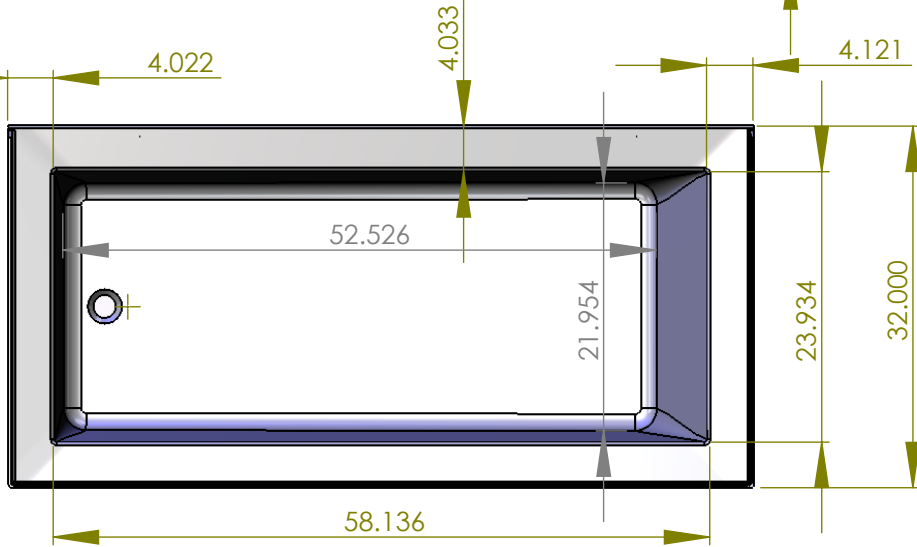
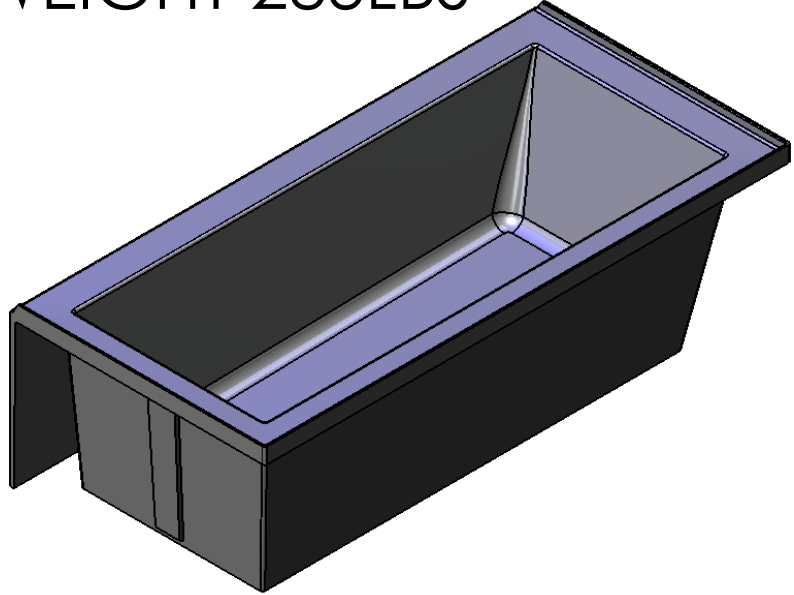


SECTION A-A
SCALE 1 : 17

TUB WEIGHT 283LBS



PROPRIETARY AND CONFIDENTIAL
THE INFORMATION CONTAINED IN THIS DRAWING IS THE SOLE PROPERTY OF CLARKE PRODUCTS INC. ANY REPRODUCTION IN PART OR AS A WHOLE WITHOUT THE WRITTEN PERMISSION OF CLARKE PRODUCTS INC. IS PROHIBITED.

UNLESS OTHERWISE SPECIFIED:
DIMENSIONS ARE IN INCHES
TOLERANCES: ±

MATERIAL
FINISH
DO NOT SCALE DRAWING

	NAME	DATE
DRAWN	H. GAMSJAGER	10/28/2014
CHECKED		
ENG APPR.		
MFG APPR.		
Q.A.		
COMMENTS:		

CLARKE PRODUCTS INC.

TITLE:		
SIZE A	DWG. NO. SpartaSolid6632 with Skirt	REV 1
SCALE: 1:20	WEIGHT:	SHEET 1 OF 1