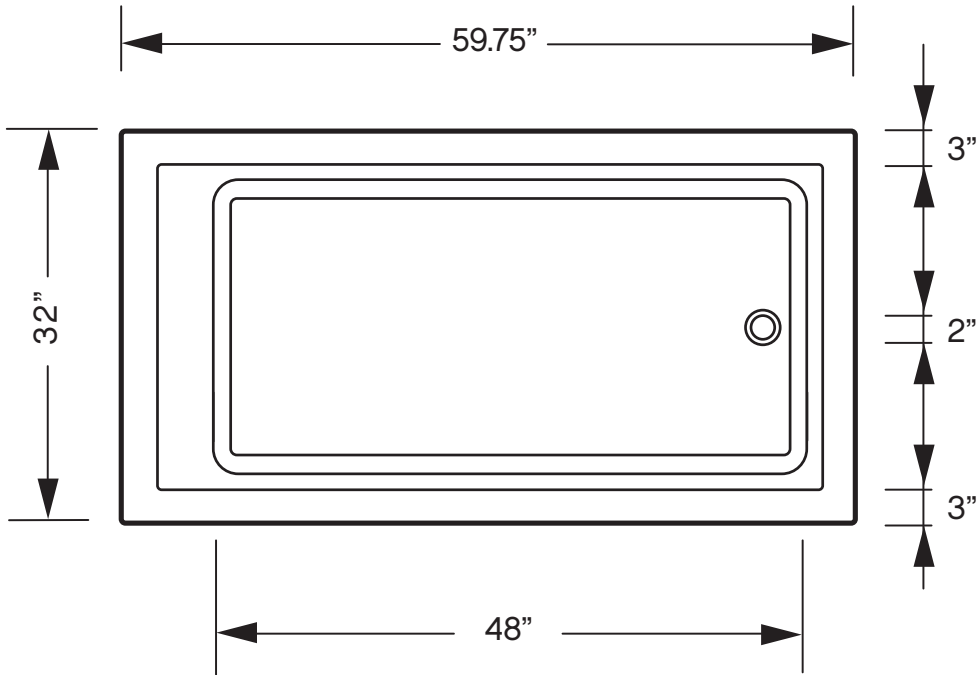
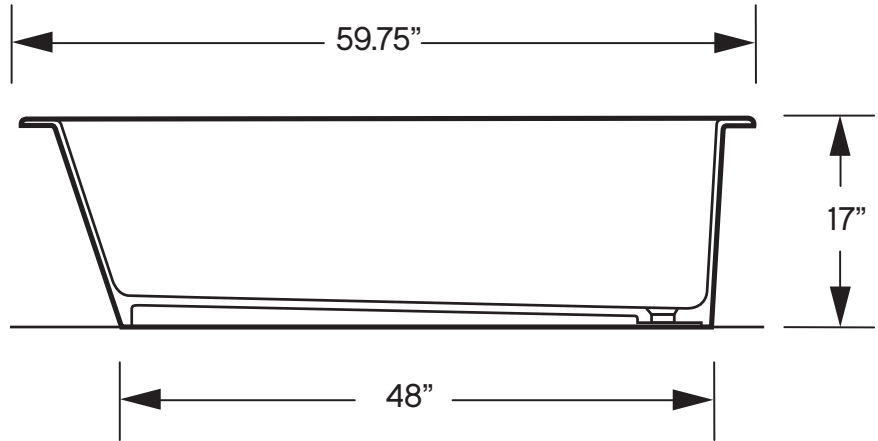
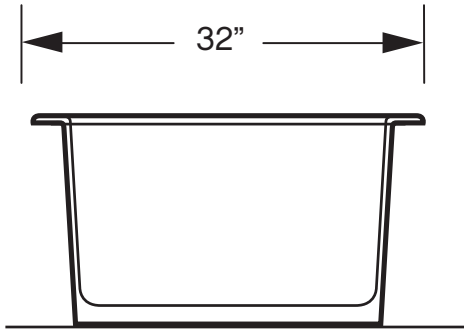


CLARKE

ARCHITECTURAL



SPARTA DROP IN

LENGTH 59.75"

CAPACITY 73 Gallons

WIDTH 32"

DRAIN Offset

HEIGHT 17"

MODEL # CAT6032DI-01

CLARKE

ARCHITECTURAL

32"



17"

65.75"

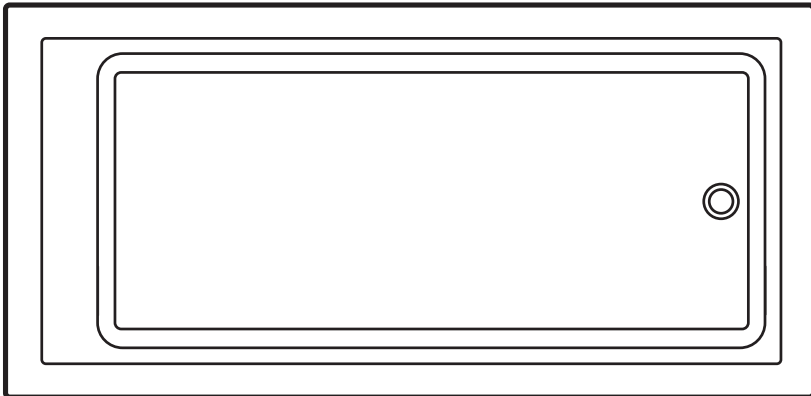


17"

54"

65.75"

32"



3"
2"
3"

54"

SPARTA DROP IN

LENGTH	65.75"	CAPACITY	88 Gallons
WIDTH	32"	DRAIN	Offset
HEIGHT	17"	MODEL #	CAT6632DI-01