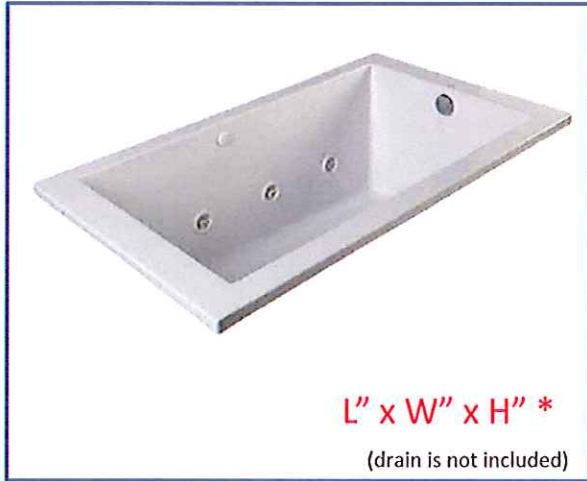


# CLARKE

## SPARTA DROP-IN

### Acrylic Tubs



### Construction:

Clarke baths are constructed of the highest grade cast acrylic with fiberglass reinforced backing. Each tub features a pre-leveled base with supporting high density polyfoam blocks. The plumbing system on Clarke Hydrotherapy and YourSpa™ baths utilizes a smooth flex pvc & clamp system that limits water entrapment in the lines.

Every unit is performance tested with water prior to leaving the factory

### Certification:

Meets or exceeds the following specifications:

- IAPMO & ETL



### Notes:

- This product comes complete with installation, operating care and maintenance instructions.
- Electrical specifications: 120V, 20 Amp, GFCI protected circuit for pump and/or blower. Optional heater must be installed on its own dedicated 120V, 20 AMP, GFCI protected circuit.
- All dimensions and specifications are nominal and may vary +/- 1/8". Use actual products for accuracy in critical situations.
- All Clarke baths feature a 2-Year limited warranty

Base Model #: \_\_\_\_\_SP\*

### Features:

#### Basic (T):

- Available in White, Biscuit, Light Grey, Bone, or Black
- Textured slip resistant floor
- Pre leveled base
- Water capacity to overflow: \*

#### Hydrotherapy (W):

- 7.5 Amp/1.4 HP pump/motor with Air on/off switch
- Safety suction & Hidden air induction valves
- 7 fully adjustable hydro jets & 1 massage lower lumbar jet
- Minimum operating water capacity: \*

#### Air Massage (A):

- 1 HP blower with 200 W heating element
- Multi-Speed with 3 button control & 20 min delay purge cycle
- Escutcheons at each air channel hole for added sanitation.

#### YourSpa™ (WA):

- Hydrotherapy with 13Amp/2 HP pump
- 1 HP blower with 200 W heating element & purge cycle
- 11 fully adjustable funnel jets & 1 massage lower lumbar jet
- Factory installed in-line heater - standard
- 8 button digital control panel featuring variable speed, wave action, digital temperature read out & single mood light

#### Rejuvenation (RJ):

- 13 Amp low flow pump with electric on/off control
- Single suction & single jet port

#### Factory Installed Options:

- Factory installed in-line bath heater (works with jets only)
- Satin nickel or polished chrome jet trim
- Chromotherapy soothing light package with 3 L.E.D. lights and control panel
- Mood light with single light and single on/off air switch
- Ozonator
- Heating Pad with electric on/off control

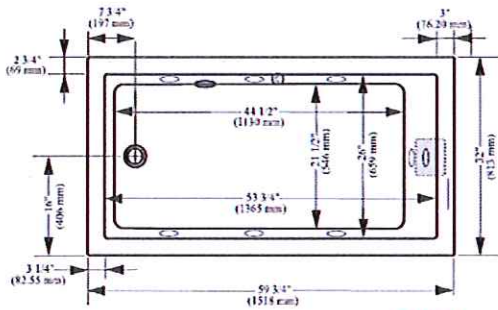
\*see next page for specifications & base model numbers

# CLARKE

## SPARTA DROP-IN

### Specifications:

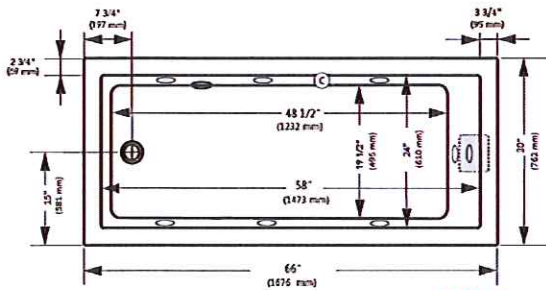
Flat top allows for under-mount installation.



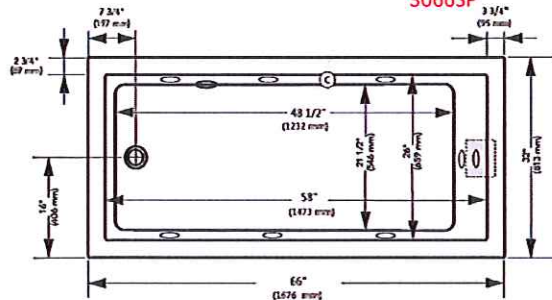
3260SP



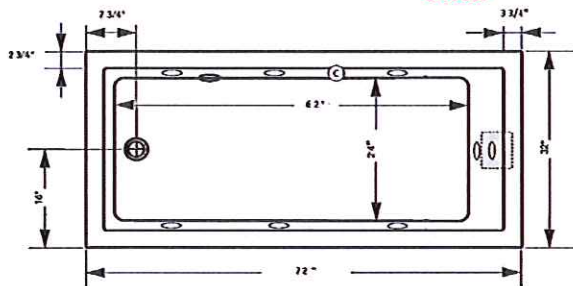
← Designates pump or blower location



3066SP



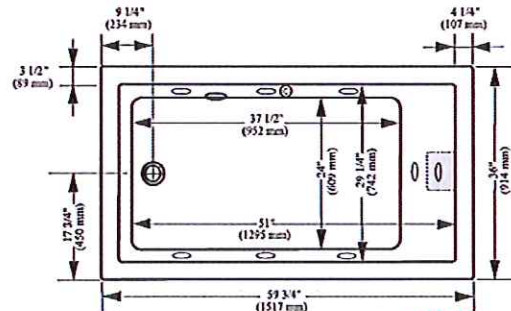
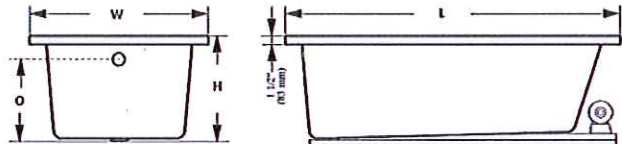
3266SP



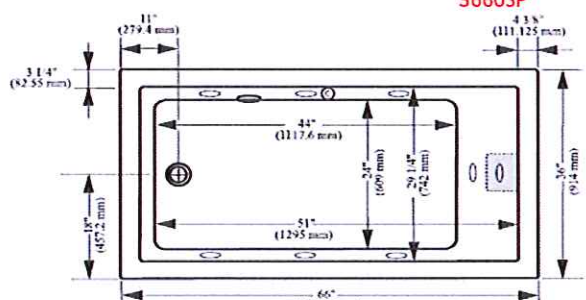
3272SP

### Base Models:

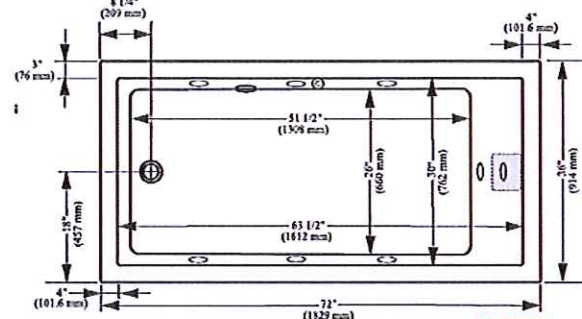
PRODUCT	LENGTH (L)	WIDTH (W)	HEIGHT (H)	OVERFLOW (O)	CAPACITY TO OVERFLOW
3260SP	59 3/4"	32"	19 1/4"	17 1/4"	62
3066SP	66"	30"	19"	17"	64
3266SP	66"	32"	22 1/4"	19 1/4"	65
3660SP	59 3/4"	36"	22 1/4"	19 1/4"	70
3666SP	66"	36"	22 1/4"	19 1/4"	75
3272SP	72"	32"	19"	17"	85
3672SP	72"	36"	23 3/4"	20 1/4"	90



3660SP



3666SP



3672SP