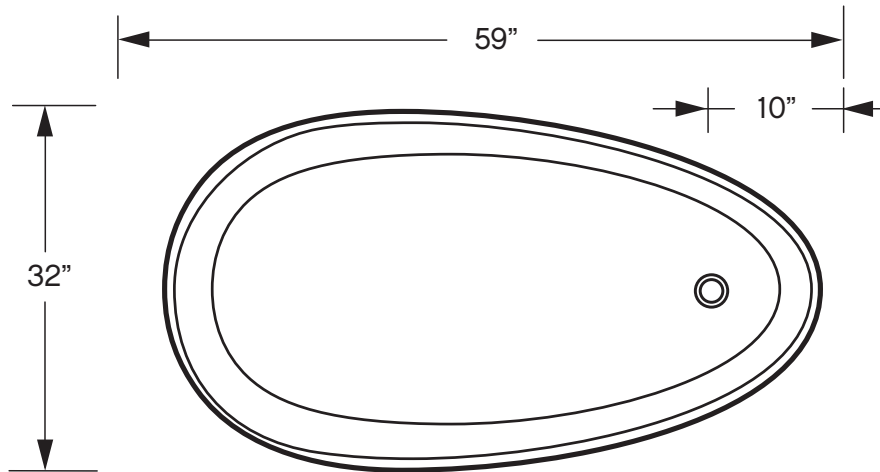
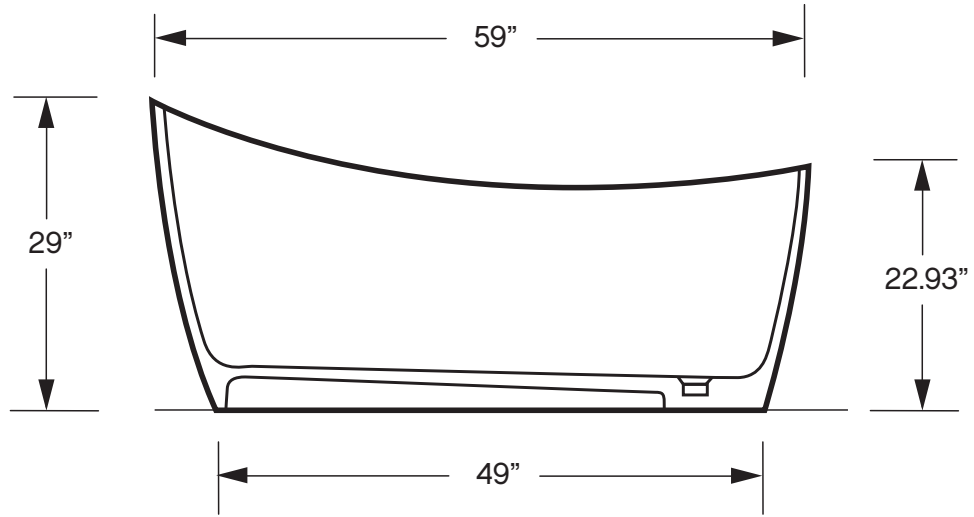
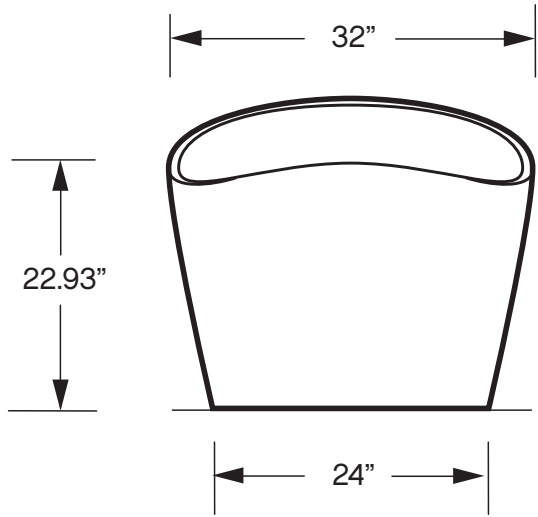


CLARKE

ARCHITECTURAL



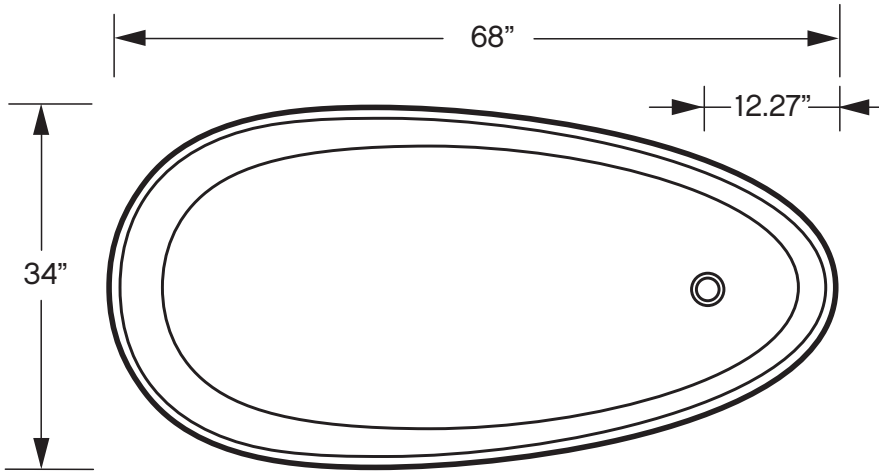
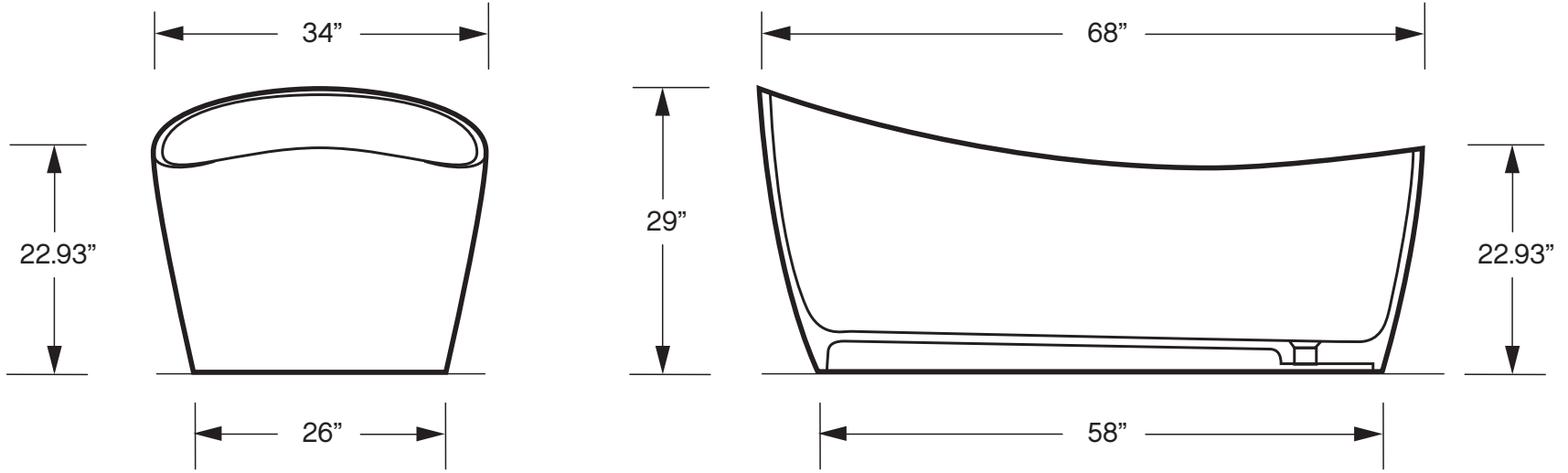
Material: Solid Surface

DUNE II

LENGTH	59"	CAPACITY	N/A
WIDTH	32"	DRAIN	Offset
HEIGHT	29"	MODEL #	CA5932FS-01

CLARKE

ARCHITECTURAL



DUNE II			
LENGTH	68"	CAPACITY	N/A
WIDTH	34"	DRAIN	Offset
HEIGHT	29"	MODEL #	CA6834FS-01