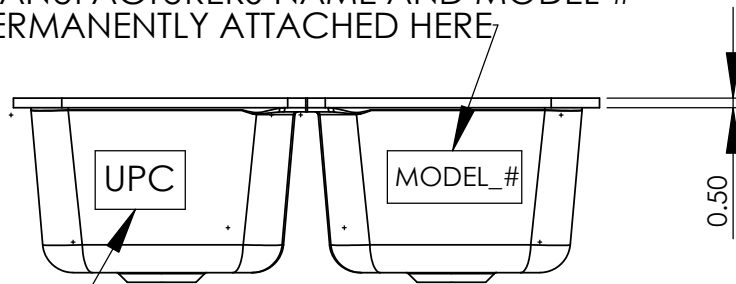
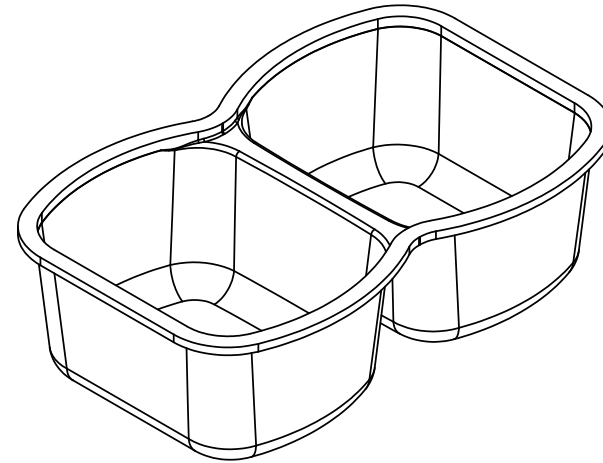
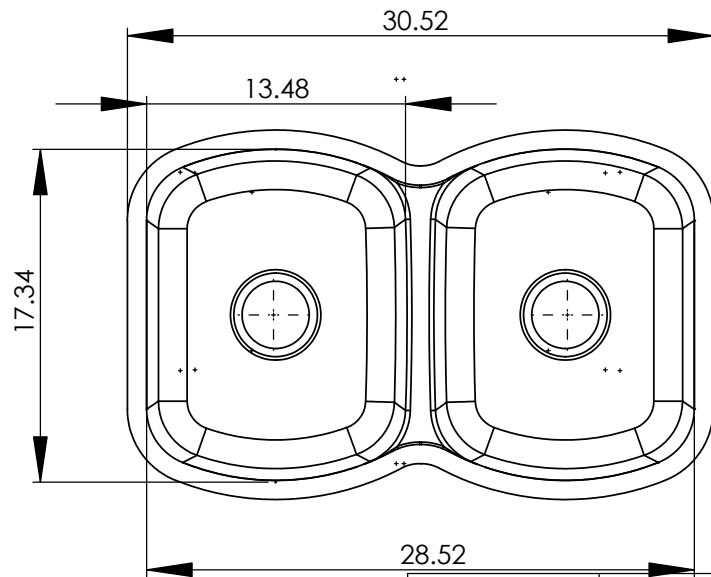
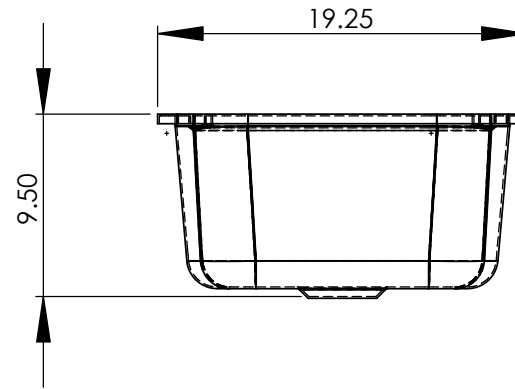


MANUFACTURERS NAME AND MODEL #  
PERMANENTLY ATTACHED HERE



UPC PERMANENTLY ATTACHED HERE



**PROPRIETARY AND CONFIDENTIAL**  
THE INFORMATION CONTAINED IN THIS DRAWING IS THE SOLE PROPERTY OF CLARKE PRODUCTS INC. ANY REPRODUCTION IN PART OR AS A WHOLE WITHOUT THE WRITTEN PERMISSION OF CLARKE PRODUCTS INC. IS PROHIBITED.

		UNLESS OTHERWISE SPECIFIED:		NAME	DATE
		DIMENSIONS ARE IN INCHES	DRAWN	H. GAMSJAGER	2/12/2007
		TOLERANCES:	CHECKED		
		FRACTIONAL ±	ENG APPR.		
		ANGULAR: MACH ± BEND ±	MFG APPR.		
		TWO PLACE DECIMAL ±	Q.A.		
		THREE PLACE DECIMAL ±	COMMENTS:		
		INTERPRET GEOMETRIC TOLERANCING PER:			
		MATERIAL			
		AC, .197, WH, 24"x36"			
		FINISH			
		SATIN			
NEXT ASSY	USED ON				
APPLICATION		DO NOT SCALE DRAWING			

**CLARKE PRODUCTS INC.**

TITLE:  
**UNDERMOUNT SINK  
KSU-EUSAT**

SIZE	DWG. NO.	REV
<b>A</b>	<b>EURO</b>	

SCALE: 1:10	WEIGHT:	SHEET 1 OF 1
-------------	---------	--------------