

3660 General Specifications

Regular Model

60" Length overall

36" Width overall

19 3/4" Overall Height

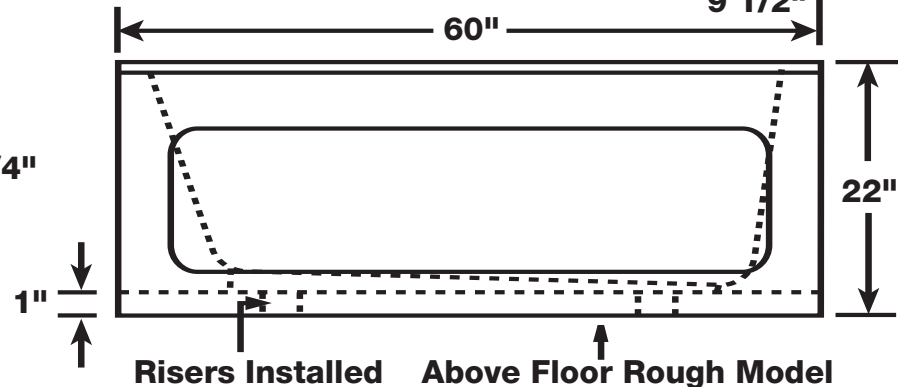
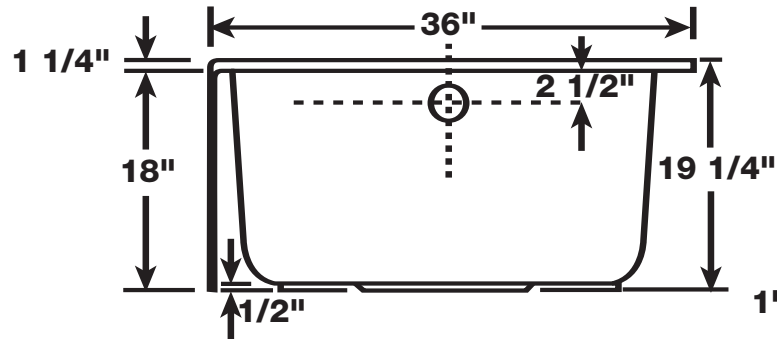
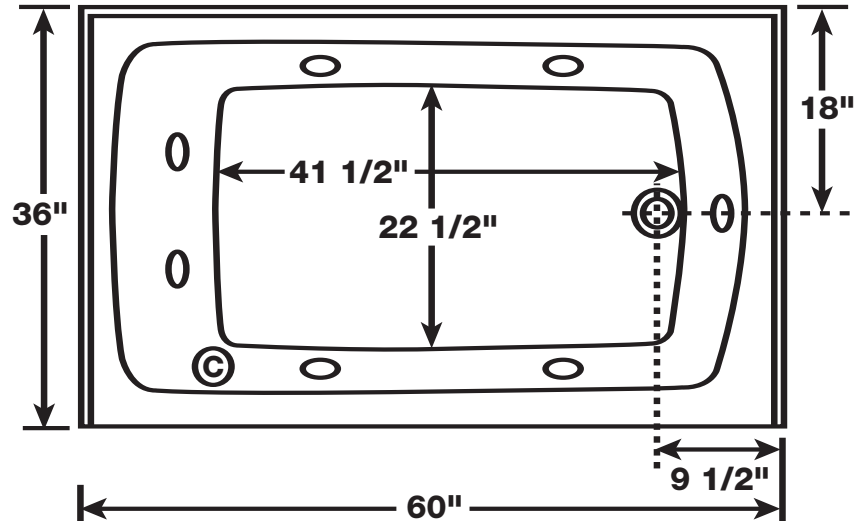
Above Floor Rough Model

60" Length overall

36" Width overall

22" Overall Height

Capacity: 45 gallons



Risers Installed Above Floor Rough Model